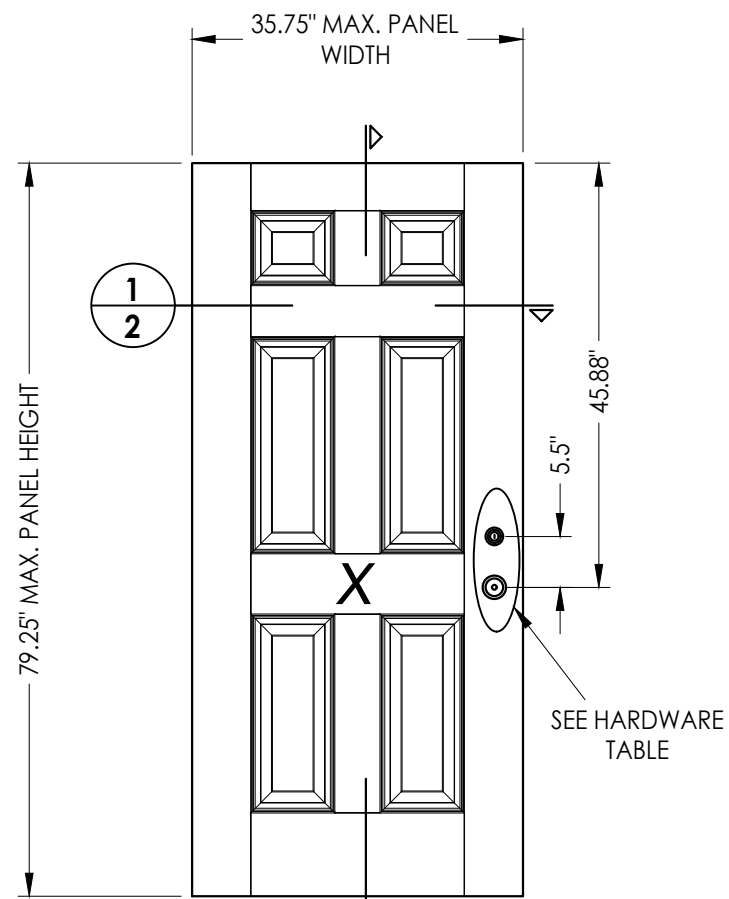


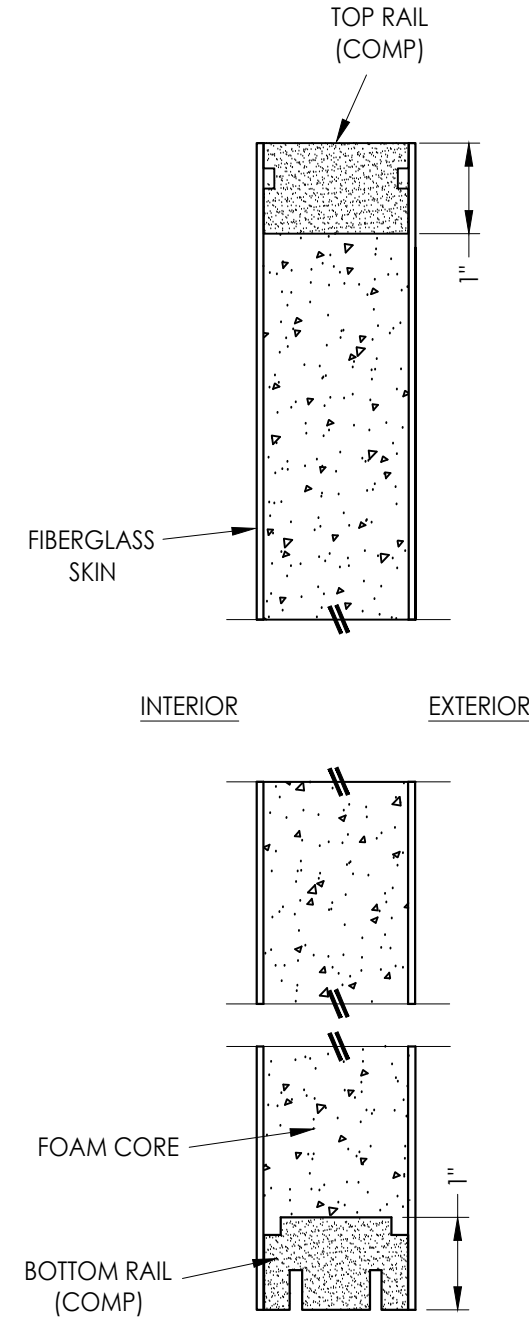
1
2 HORIZONTAL CROSS SECTION



2
2
40 FIBERGLASS DOOR PANEL
ODL

FIBERGLASS SKIN: 0.070" MIN. THK.
FOAM CORE: POLYURETHANE (1.9 PCF MIN.)

HARDWARE CHART	
MANUFACTURER	MODEL
KWIKSET	KNOB: SIGNATURE SERIES
	DEADBOLT: SIGNATURE SERIES (980)
SCHLAGE	KNOB: F SERIES
	DEADBOLT: B60 SERIES



2
2 VERTICAL CROSS SECTION

Documents Prepared By:
Lyndon F. Schmidt
P.E. No. 43409

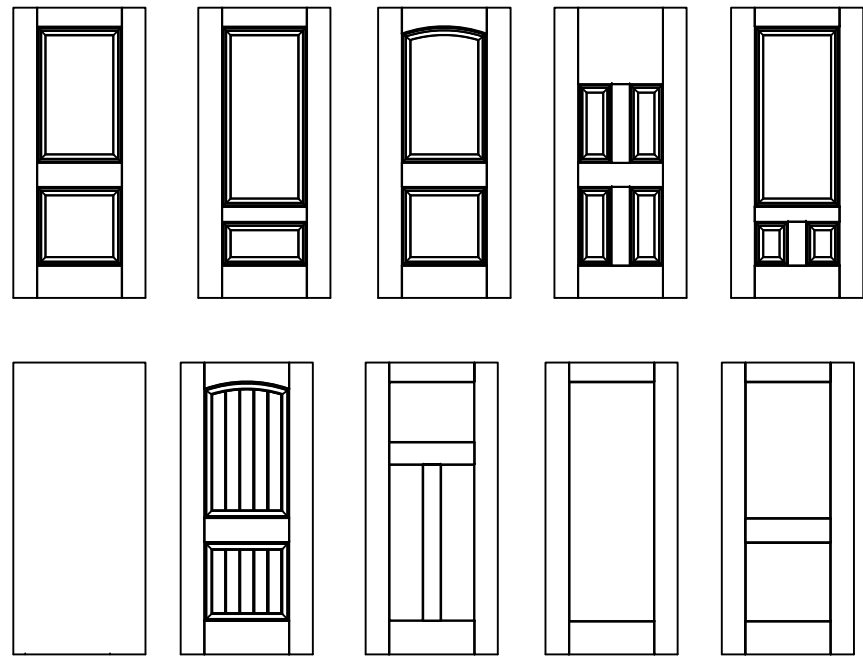
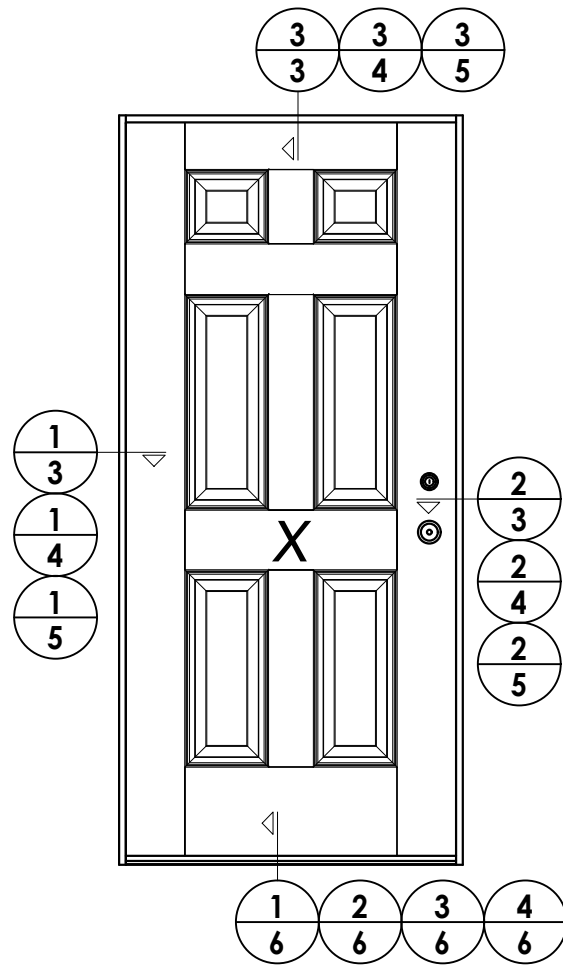
RW BUILDING CONSULTANTS, INC.
P.O. Box 230, Valrico, FL 33595
Phone No.: 813.659.9197
FBPE Registry No. 9813

PRODUCT: ODL
FIBERGLASS DOOR

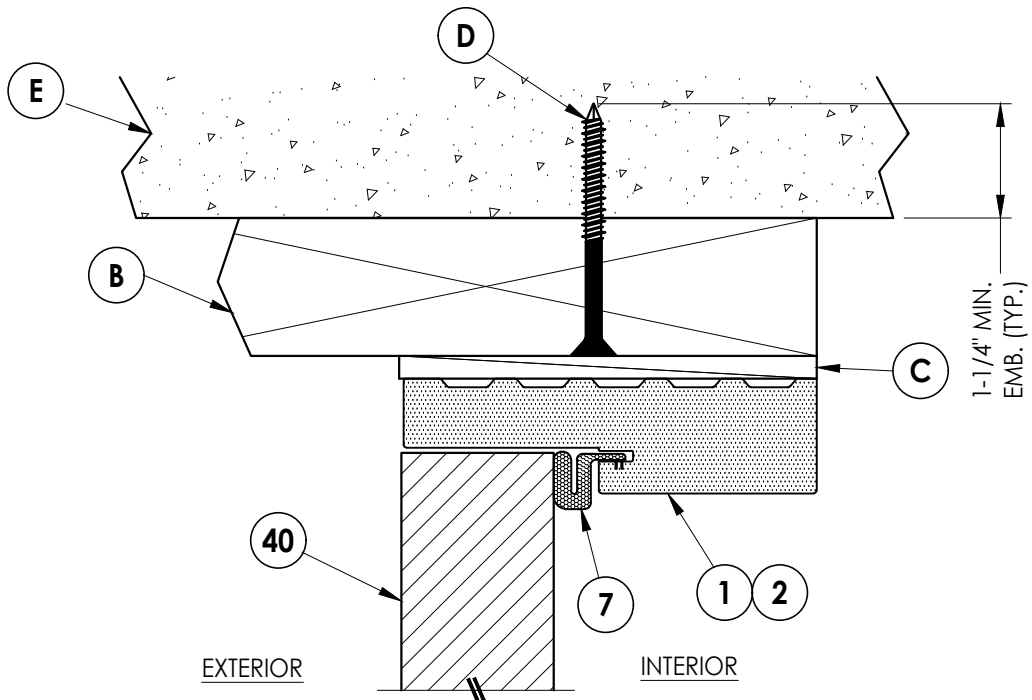
PART OR ASSEMBLY:
DOOR & SIDELITE
PANEL DETAILS

NO.	DATE	BY

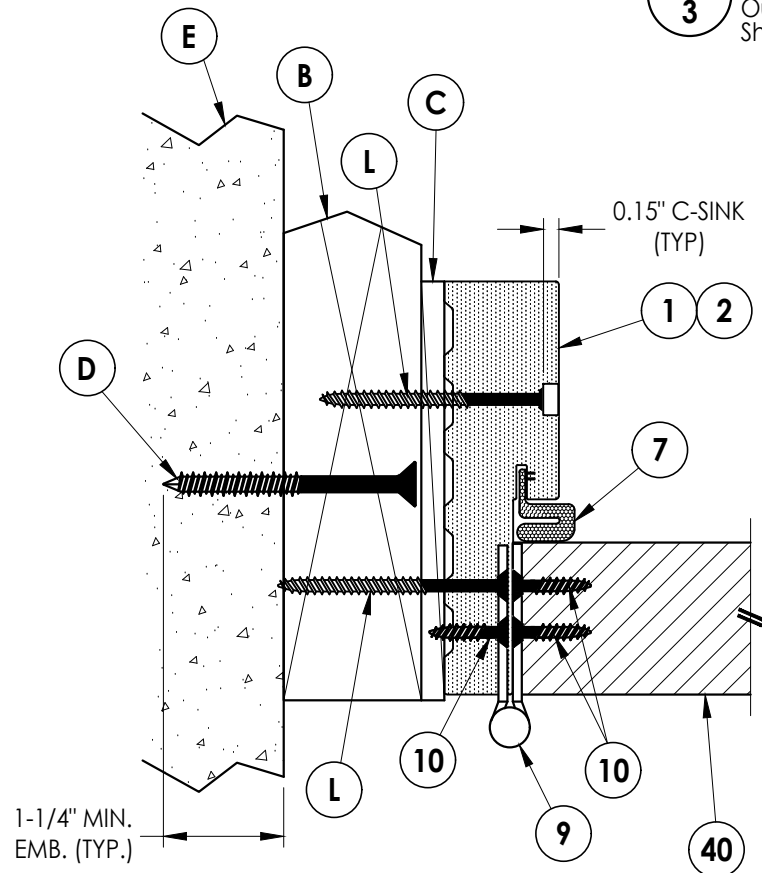
DATE: 2/15/24
SCALE: N.T.S.
DWG. BY: LFS
CHK. BY: RW
DRAWING NO.:
FL-46116.6
SHEET 2 OF 8



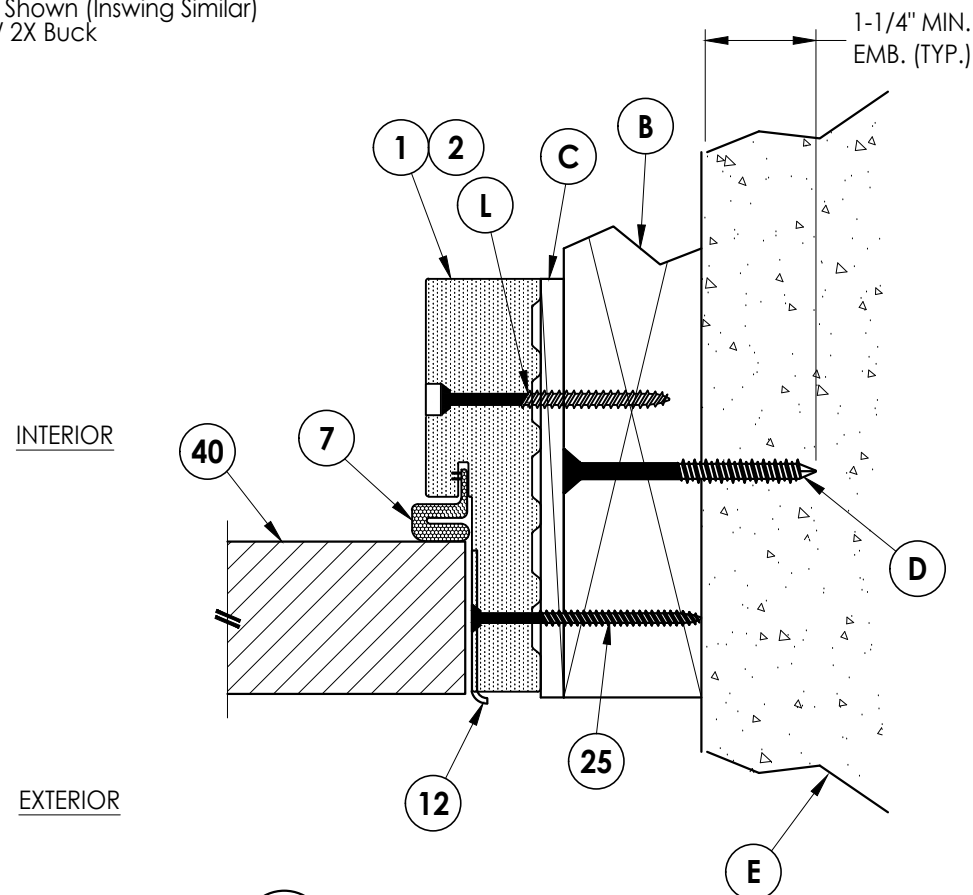
ALTERNATE DOOR PANELS



3 VERTICAL CROSS SECTION
3 Outwing Shown (Inswing Similar)
 Shown w/ 2X Buck



1 HORIZONTAL CROSS SECTION
3 Outwing Shown (Inswing Similar)
 Shown w/ 2X Buck



2 HORIZONTAL CROSS SECTION
3 Outwing Shown (Inswing Similar)
 Shown w/ 2X Buck

Documents Prepared By:
 Lyndon F. Schmidt
 P.E. No. 43409

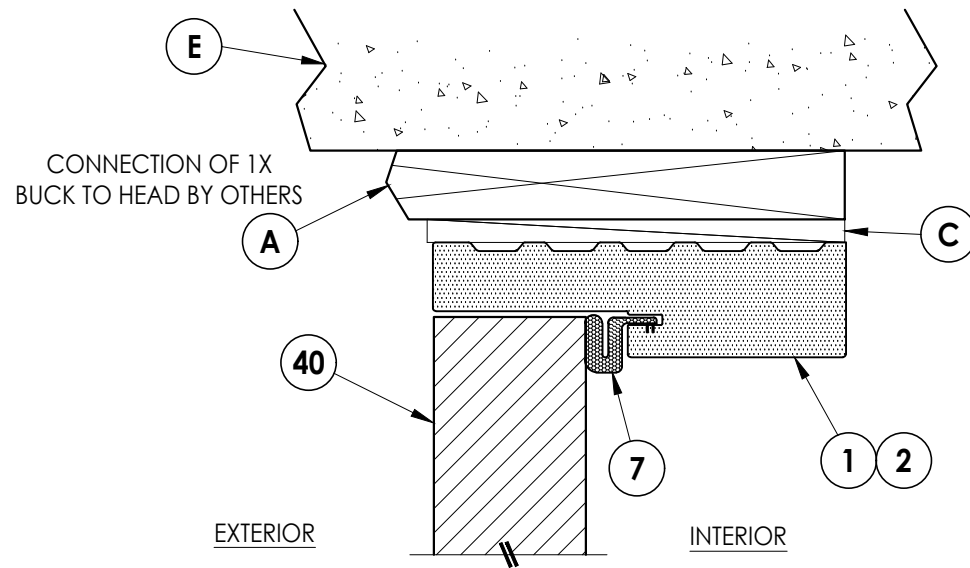
RW BUILDING CONSULTANTS, INC.
 P.O. Box 230, Valrico, FL 33595
 Phone No.: 813.659.9197
 FBPE Registry No. 9813

PRODUCT: ODL
 FIBERGLASS DOOR

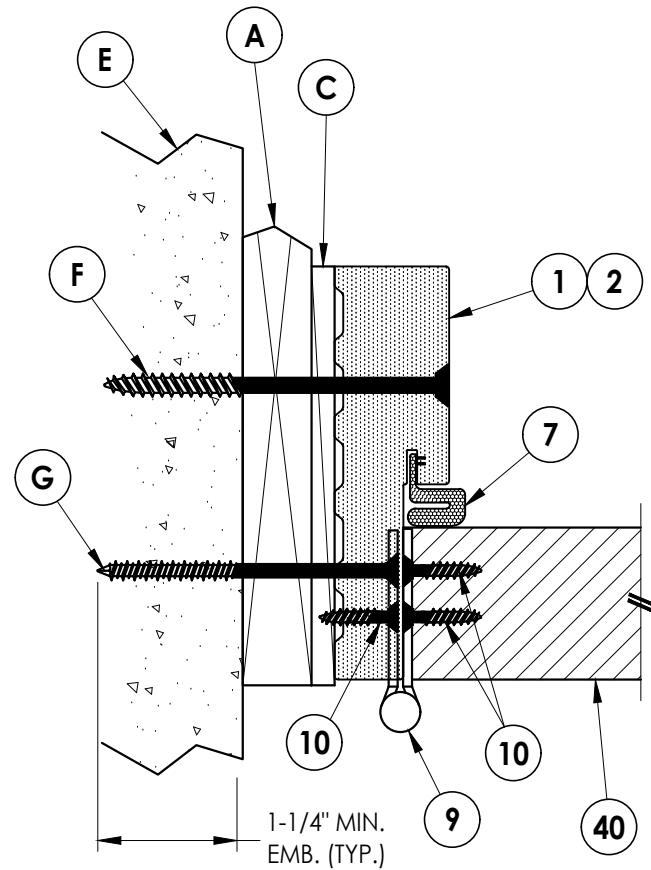
PART OR ASSEMBLY:
 HORIZONTAL & VERTICAL
 CROSS SECTIONS (2X BUCK)

NO.	DATE	BY	REVISIONS

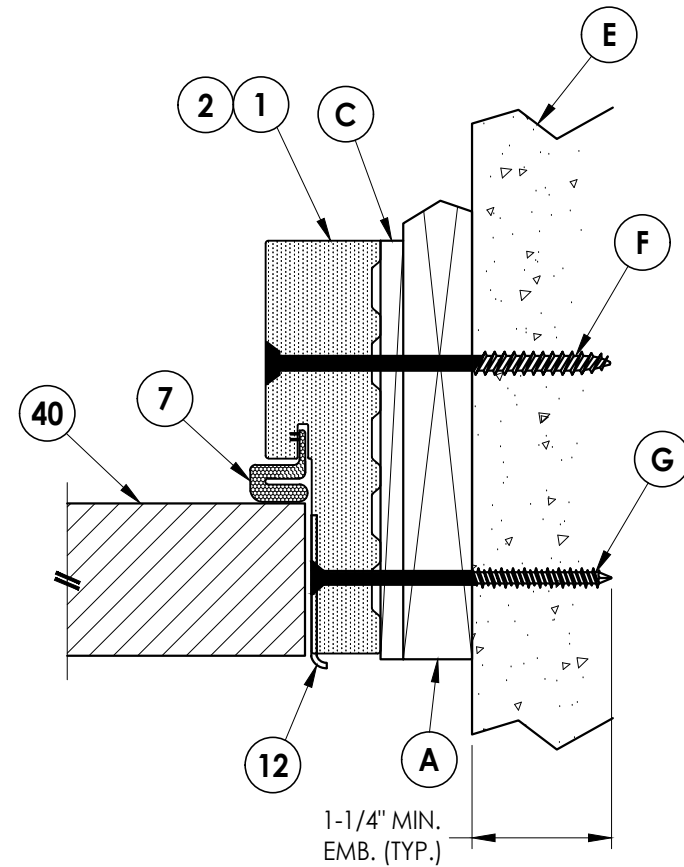
DATE: 2/15/24
 SCALE: N.T.S.
 DWG. BY: LFS
 CHK. BY: RW
 DRAWING NO.:
 FL-46116.6
 SHEET 3 OF 8



3 VERTICAL CROSS SECTION
4 Outswing Shown (Inswing Similar)
 Shown w/ 1X Buck



1 HORIZONTAL CROSS SECTION
4 Outswing Shown (Inswing Similar)
 Shown w/ 1X Buck



2 HORIZONTAL CROSS SECTION
4 Outswing Shown (Inswing Similar)
 Shown w/ 1X Buck

Documents Prepared By:
 Lyndon F. Schmidt
 P.E. No. 43409

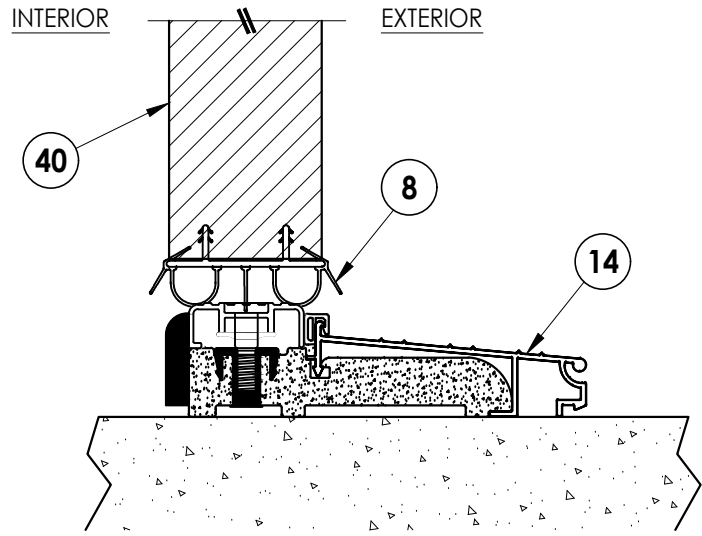
RW BUILDING CONSULTANTS, INC.
 P.O. Box 230, Valrico, FL 33595
 Phone No.: 813.659.9197
 FBPE Registry No. 9813

PRODUCT: OD
 FIBERGLASS DOOR

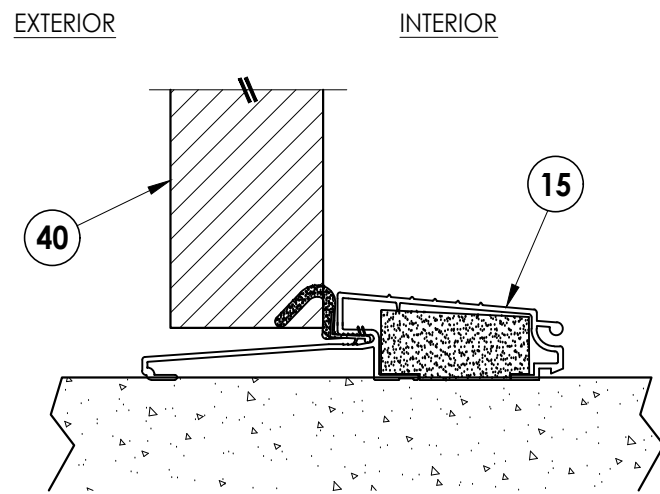
PART OR ASSEMBLY:
 HORIZONTAL & VERTICAL
 CROSS SECTIONS (1X BUCK)

NO.	DATE	BY	REVISIONS

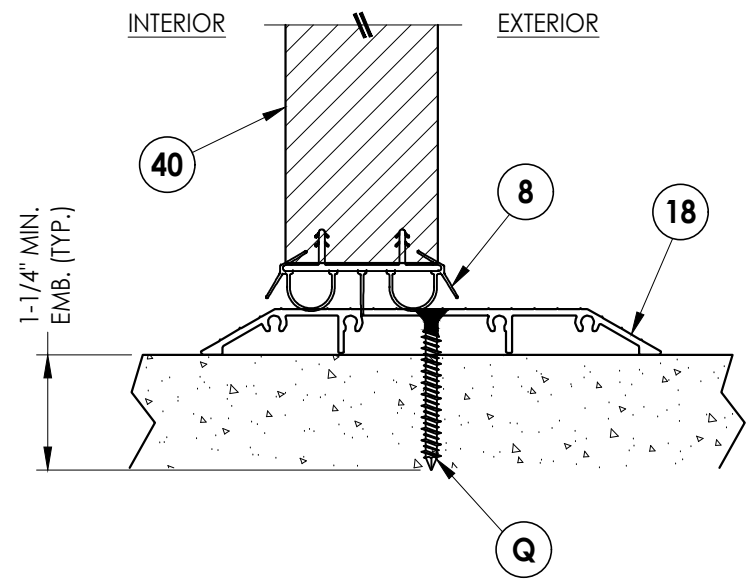
DATE: 2/15/24
 SCALE: N.T.S.
 DWG. BY: LFS
 CHK. BY: RW
 DRAWING NO.:
 FL-46116.6
 SHEET 4 OF 8



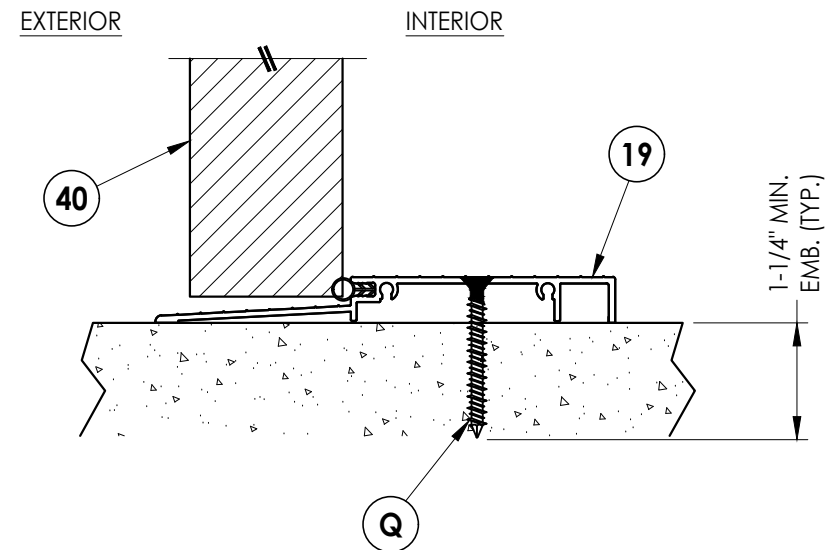
1
6 VERTICAL CROSS SECTION
Inswing Sill



2
6 VERTICAL CROSS SECTION
Outswing Sill



3
6 VERTICAL CROSS SECTION
ADA Sill



4
6 VERTICAL CROSS SECTION
ADA Outswing Sill

Documents Prepared By:
Lyndon F. Schmidt
P.E. No. 4-3409

RW BUILDING CONSULTANTS, INC.
P.O. Box 230, Valrico, FL 33595
Phone No.: 813.659.9197
FBPE Registry No. 9813

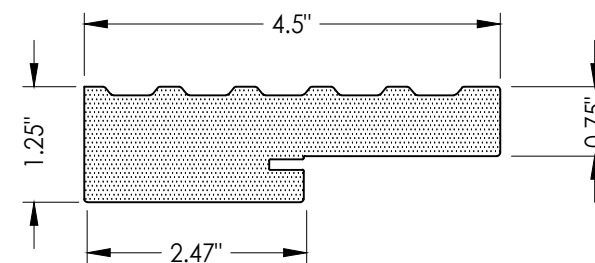
PRODUCT:	ODL FIBERGLASS DOOR
PART OR ASSEMBLY:	VERTICAL CROSS SECTIONS (THRESHOLDS)

NO.	DATE	BY	REVISIONS

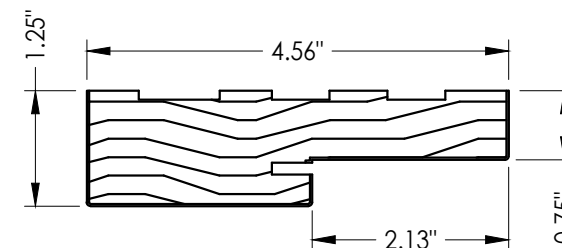
DATE:	2/15/24
SCALE:	N.T.S.
DWG. BY:	LFS
CHK. BY:	RW
DRAWING NO.:	FL-46116.6
SHEET	6 OF 8

BILL OF MATERIALS

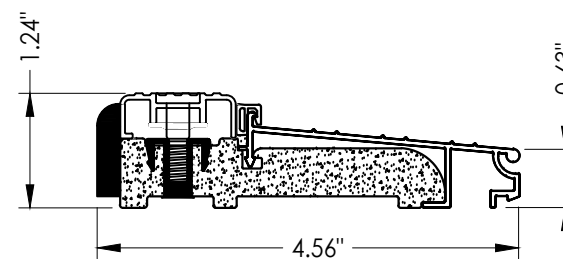
ITEM #	DESCRIPTION	MATERIAL
A	1X BUCK (G >= 0.42)	WOOD
B	2X BUCK (G >= 0.42)	WOOD
C	1/4" MAX. SHIM SPACE	-
D	1/4" X 2-3/4" PFH DeWALT OR ITW CONCRETE SCREW	STEEL
E	MASONRY - 3,000 PSI MIN. CONCRETE CONFORMING TO ACI 301 OR HOLLOW BLOCK CONFORMING TO ASTM C90	CONCRETE
F	1/4" X 3-3/4" PFH DeWALT OR ITW CONCRETE SCREW	STEEL
G	3/16" X 3-1/4" PFH ITW CONCRETE SCREW	STEEL
L	#10 X 2-1/2" PFH WOOD SCREW (1.15" MIN. EMB.)	STEEL
M	3/16" X 2-1/4" PFH ITW CONCRETE SCREW	STEEL
Q	1/4" X 1-3/4" PFH DeWALT OR ITW CONCRETE SCREW	STEEL
1	COMPOSITE JAMB	COMP
2	WOOD JAMB	WOOD
7	WEATHERSTRIP	FOAM
8	DOOR SWEEP	VINYL
9	4" X 4" HINGE	STEEL
10	#9 X 3/4" PFH WOOD SCREW	STEEL
12	LATCH STRIKE PLATE	STEEL
13	DEADBOLT STRIKE PLATE	STEEL
14	INSWING THRESHOLD	ALUM/COMP
15	OUTSWING THRESHOLD	ALUM/COMP
18	ADA THRESHOLD	ALUM
19	ADA OUTSWING THRESHOLD	ALUM
20	#8 X 1/2" PFH WOOD SCREW	STEEL
25	#8 X 2-1/2" PFH WOOD SCREW	STEEL
30	#12 X 2-1/2" PFH WOOD SCREW	STEEL
40	DOOR PANEL	-



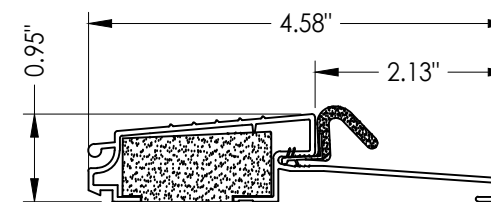
1 COMPOSITE JAMB
STARLINK SURE JAMB



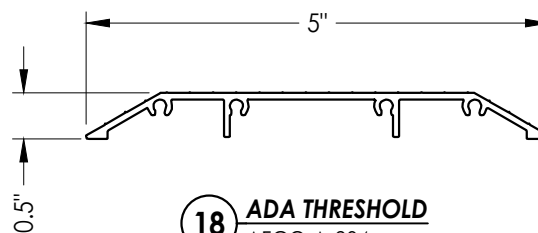
2 WOOD JAMB
FINGER JOINTED PINE



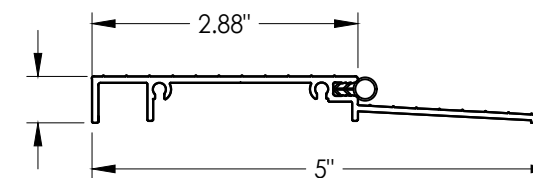
14 INSWING THRESHOLD
AFCO A-276



15 OUTSWING THRESHOLD
AFCO A-117



18 ADA THRESHOLD
AFCO A-204



19 ADA THRESHOLD
AFCO A-204T

CONCRETE ANCHOR NOTES:

- Concrete anchor locations at the corners may be adjusted to maintain the min. edge distance to mortar joints.
- Concrete anchor locations noted as "MAX. ON CENTER" must be adjusted to maintain the min. edge distance to mortar joints, additional concrete anchors may be required to ensure the "MAX. ON CENTER" dimension are not exceeded.
- Concrete anchor table:

ANCHOR TYPE	ANCHOR SIZE	MIN. EMBEDMENT	MIN. CLEARANCE TO MASONRY EDGE	MIN. CLEARANCE TO ADJACENT ANCHOR
ITW BUILDEX TAPCON®	3/16"	1-1/4"	3"	1-1/2"
	1/4"	1-1/4"	2"	4"
DeWALT ULTRACON®	1/4"	1-1/4"	1"	4"

WOOD SCREW INSTALLATION NOTES:

- Maintain a minimum 5/8" edge distance, 1" end distance, & 1" o.c. spacing of wood screws to prevent the splitting of wood.

Documents Prepared By:
Lyndon F. Schmidt
P.E. No. 43409

RW BUILDING CONSULTANTS, INC.
P.O. Box 230, Vairico, FL 33595
Phone No.: 813.659.9197
FBPE Registry No. 9813

PRODUCT: ODL
FIBERGLASS DOOR

PART OR ASSEMBLY:
BILL OF MATERIALS
& COMPONENTS

NO.	DATE	BY	REVISIONS

DATE: 2/15/24

SCALE: N.T.S.

DWG. BY: LFS

CHK. BY: RW

DRAWING NO.:

FL-46116.6

SHEET 8 OF 8